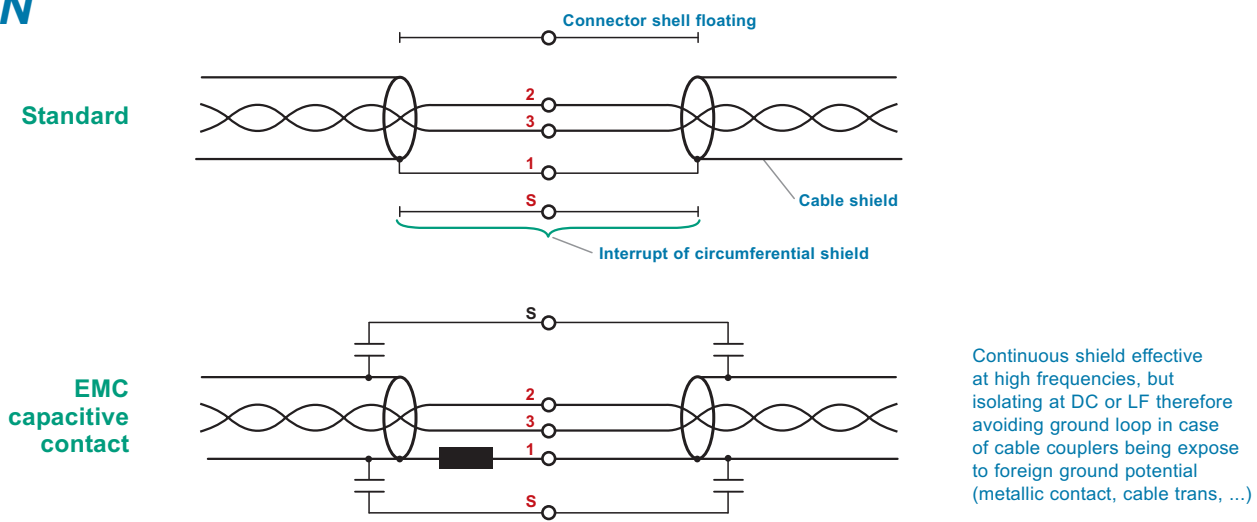
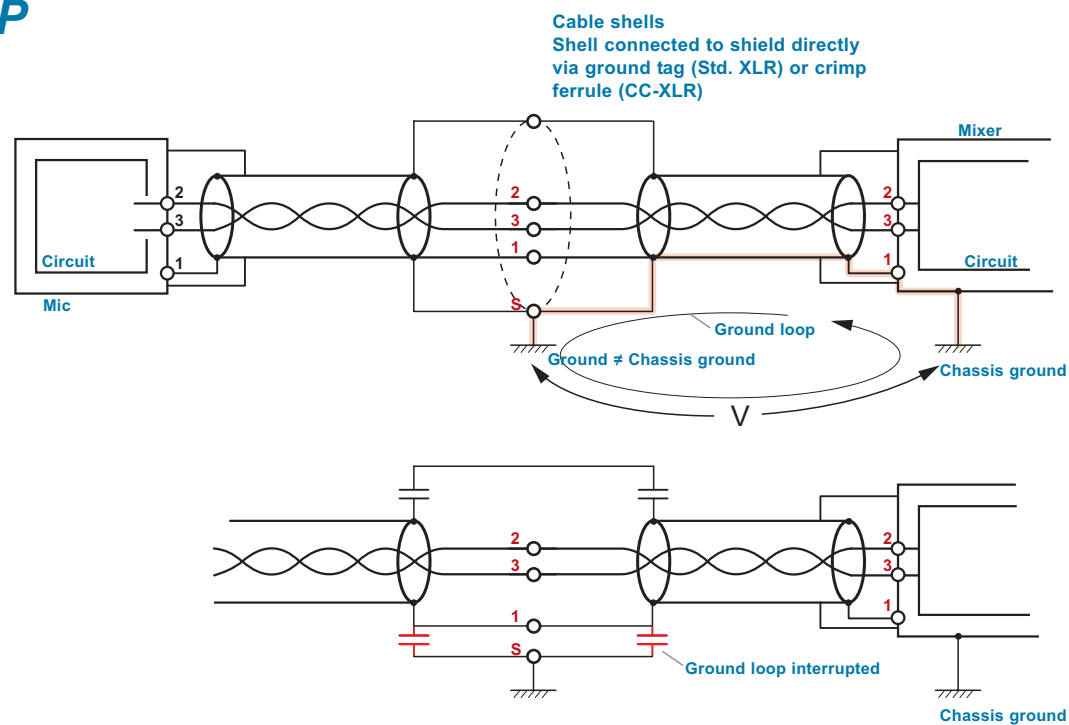


Typical Applications **EMC-XLR**

RF REJECTION



GROUND LOOP



PIN 1 PROBLEM

